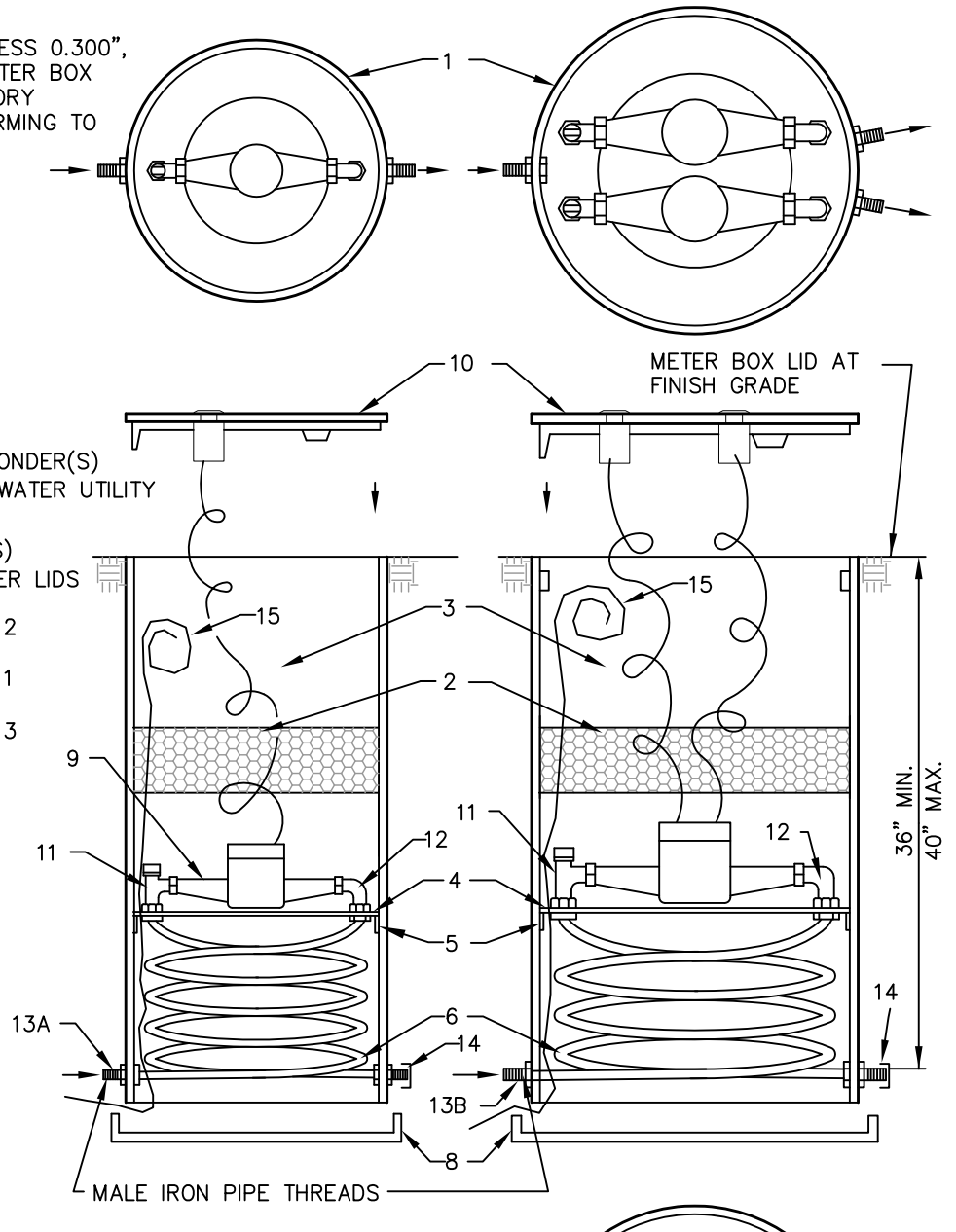


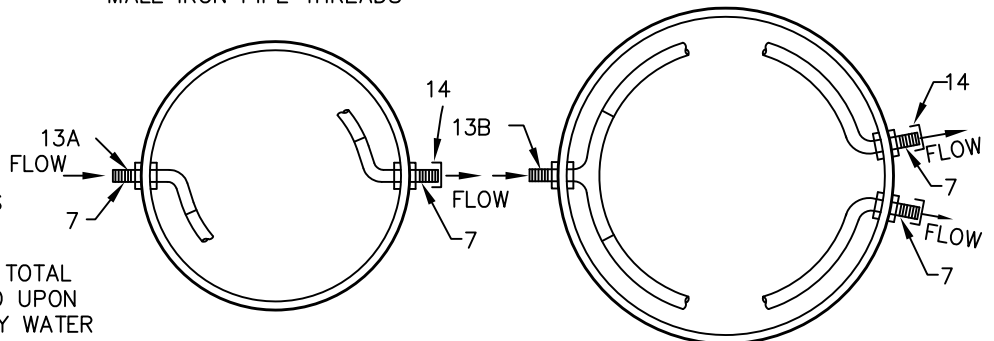
MATERIALS LIST:

1. PVC BOX MIN. WALL THICKNESS 0.300",
MUELLER THERMAL-COIL METER BOX
OR APPROVED EQUAL FACTORY
EQUIPED AS LISTED, CONFORMING TO
AWWA C800.
2. INSULATION PAD (4" THICK)
3. AIR SPACE
4. PLATFORM
5. PLATFORM SUPPORT
6. POLYBUTYLENE TUBING
CLASS 250
7. I.P. THREADS
8. ALUMINUM BOTTOM
9. WATER METER(S) & TRANSPONDER(S)
SUPPLIED BY CARSON CITY WATER UTILITY
10. CAST IRON LOCKING LID W/
2" TRANSPONDER OPENING(S)
MUELLER METER BOX SETTER LIDS
FOR 3/4" SINGLE,
PART No. TRPL-780112
FOR 3/4" DOUBLE,
PART No. TRPL-780111
FOR 1" SINGLE,
PART No. TRPL-780113
11. MUELLER LOCKABLE VALVE
(NO. 14265)
12. MUELLER ANGLE
CHECK VALVE
- 13A. INLET LINE TO BE 3/4" MIN.
(SEE NOTE 1. AND DWG.
C-3.2.1)
- 13B. INLET LINE TO BE 1" MIN.
(SEE NOTE 1. AND DWG.
C-3.2.1)
14. FACTORY SUPPLIED CAP TO
REMAIN IN PLACE UNTIL
SUPPLY LINE IS EXTENDED
BY CUSTOMER
15. BLUE TRACER WIRE EXTEND
INTO METER PITSETTER 48"
MIN.



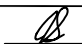
NOTES:

1. SERVICE LINE—MIN. SIZE AS
SHOWN HEREON (3/4-1")
2. PIT SETTER EXTENSION, 6" TOTAL
MAX. SHALL ONLY BE USED UPON
APPROVAL BY CARSON CITY WATER
UTILITY



15" DIAMETER THERMAL-COIL
METER BOX FOR 3/4" SINGLE
PIT SETTER

18" DIAMETER THERMAL-COIL
METER BOX FOR 3/4" DOUBLE,
1" SINGLE PIT SETTER

NO.	REVISION	DATE	STANDARD DETAIL FOR PUBLIC WORKS CONSTRUCTION	SECTION
			3/4" DOUBLE AND SINGLE PIT SETTER, 1" SINGLE PIT SETTER	CARSON CITY
				DRAWING NO. C-3.2.3 (203, 307)
				DATE 7/2009
APPROVED BY: 		7/09		