

REGIONAL TRANSPORTATION COMMISSION

Ms. Shelly Aldean, Chairperson
 Mr. Russell Carpenter, Vice-Chairperson
 Mr. Bob Crowell
 Mr. Charles DesJardins
 Mr. Jim Mallery

DESIGNED FOR:

CARSON CITY PUBLIC WORKS DEPARTMENT
 TRANSPORTATION/CAPITAL PROJECTS
 3505 BUTTI WAY
 CARSON CITY, NV 89701
 775-887-2355

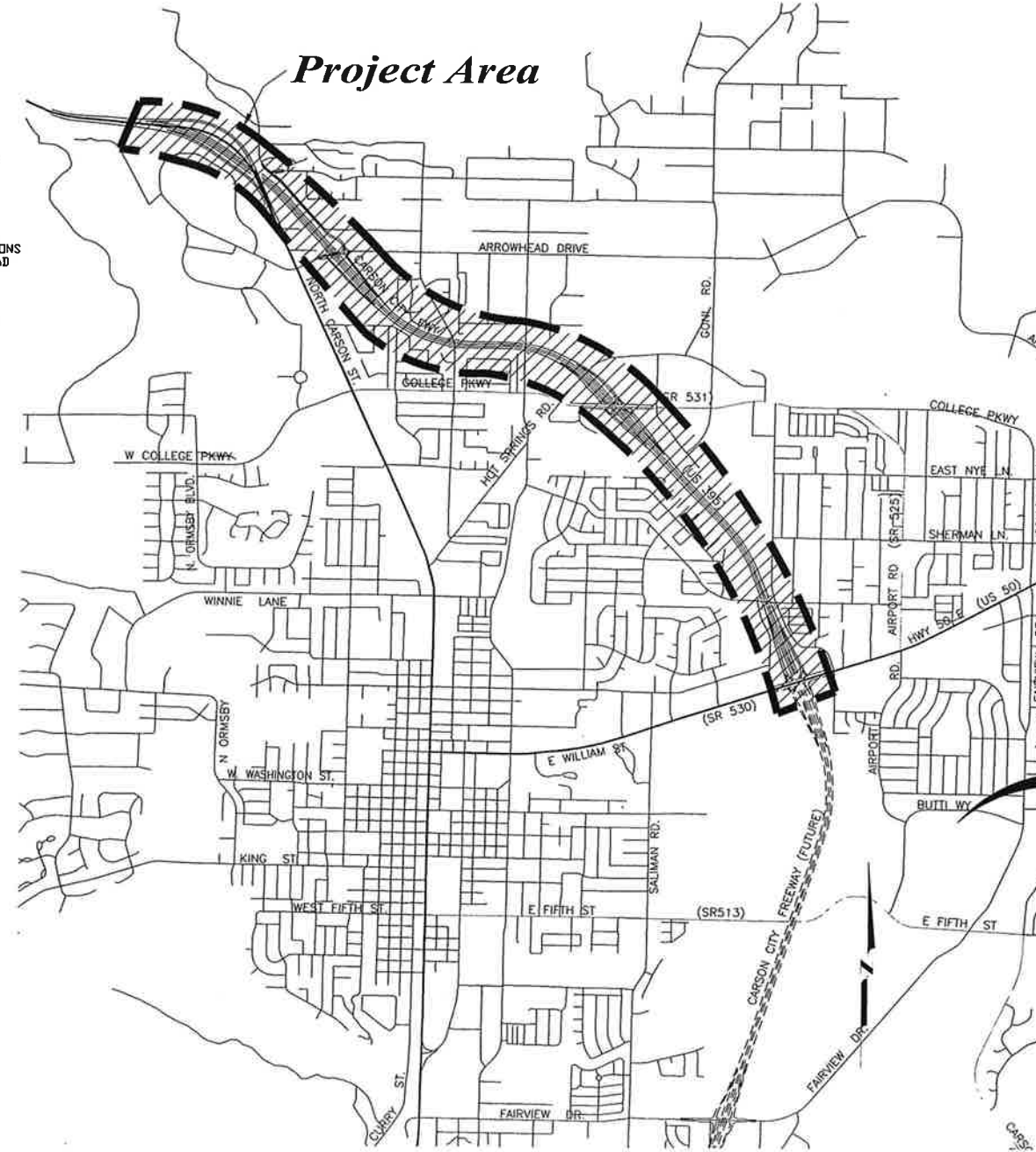
GENERAL NOTES

- ALL WORK SHALL CONFORM TO THE STANDARD SPECIFICATIONS FOR PUBLIC WORKS CONSTRUCTION, 2007 EDITION, AND THE STANDARD DETAILS FOR PUBLIC WORKS CONSTRUCTION AS ADOPTED BY CARSON CITY. ALL WORK IN NDOT RIGHT-OF-WAY SHALL CONFORM TO THE STATE OF NEVADA DEPARTMENT OF TRANSPORTATION STANDARD SPECIFICATIONS FOR ROAD AND BRIDGE CONSTRUCTION, 2001 EDITION AND THE CONTRACT SPECIAL PROVISIONS AND CONDITIONS THE STATE OF NEVADA DEPARTMENT OF TRANSPORTATION STANDARD PLANS FOR ROAD AND BRIDGE CONSTRUCTION, 2010 EDITION.
- ALL TRAFFIC CONTROL AND BARRICADING WITHIN CARSON CITY RIGHT-OF-WAY SHALL CONFORM TO SECTION 100.33, 332.04 AND 332.05 OF THE STANDARD SPECIFICATIONS, PART VI OF THE MANUAL ON UNIFORM TRAFFIC CONTROL DEVICES, LATEST EDITION, AND THE UNIFORM CENTER TEMPORARY TRAFFIC CONTROL GUIDELINES LATEST EDITION. NO STREET CLOSURES WILL BE ALLOWED WITHOUT PRIOR APPROVAL OF A TRAFFIC CONTROL PLAN BY THE CONSTRUCTION MANAGER.
- THE CONTRACTOR SHALL CALL UNDERGROUND SERVICE ALERT ("CALL BEFORE YOU DIG") AT 1-800-227-2600 AT LEAST 2 WORKING DAYS PRIOR TO START OF CONSTRUCTION, AND COMPLY WITH THE REQUIREMENTS OF NAC CHAPTER 455 - EXCAVATION AND DEMOLITIONS.
- THE LOCATION OF EXISTING UTILITIES SHOWN ON THESE DRAWINGS IS BASED ON THE BEST INFORMATION AVAILABLE TO THE ENGINEER. IT SHALL BE THE CONTRACTORS' RESPONSIBILITY TO VERIFY THESE LOCATIONS AT THE PROPOSED POINTS OF CONNECTIONS AND IN AREAS OF POSSIBLE CONFLICT WITH NEW UTILITY INSTALLATION, PRIOR TO BEGINNING CONSTRUCTION. POTHOLING IS REQUIRED. SHOULD THE CONTRACTOR FIND ANY DISCREPANCIES BETWEEN THE CONDITIONS EXISTING IN THE FIELD AND THE INFORMATION SHOWN ON THESE DRAWINGS, HE SHALL NOTIFY THE ENGINEER BEFORE PROCEEDING WITH CONSTRUCTION.
- THE CONTRACTOR WILL BE SOLELY AND COMPLETELY RESPONSIBLE FOR THE CONDITIONS OF THE JOB SITE, INCLUDING SAFETY OF ALL PERSONS AND PROPERTY DURING PERFORMANCE OF THE WORK. THIS REQUIREMENT WILL APPLY CONTINUOUSLY AND NOT BE LIMITED TO NORMAL WORKING HOURS. THE CONTRACTOR SHALL BE RESPONSIBLE FOR THE DESIGN AND CONSTRUCTION OF PROPER SHORING OF TRENCHES IN ACCORDANCE WITH OCCUPATIONAL SAFETY LAWS. THE DUTIES OF THE ENGINEER DO NOT INCLUDE REVIEW OF THE ADEQUACY OF THE CONTRACTOR'S SAFETY IN, ON, OR NEAR THE CONSTRUCTION SITE.
- SHOULD IT APPEAR THAT THE WORK TO BE DONE, OR ANY MATTER RELATIVE THERETO, IS NOT SUFFICIENTLY DETAILED OR EXPLAINED ON THESE PLANS, THE CONTRACTOR SHALL CONTACT THE PROJECT MANAGER FOR SUCH FURTHER EXPLANATIONS AS MAY BE NECESSARY.
- THE CONTRACTOR SHALL CALL THE CARSON CITY DEVELOPMENT ENGINEERING DIVISION (887-2300) AT LEAST 2 WORKING DAYS PRIOR TO THE START OF CONSTRUCTION.
- MODIFICATIONS TO THE APPROVED PLANS REQUIRES REVIEW AND APPROVAL BY CARSON CITY DEVELOPMENT ENGINEERING DIVISION. WORK PERFORMED WITHOUT WRITTEN APPROVAL BY THE DIVISION WILL REQUIRE REMOVAL AT THE CONTRACTORS EXPENSE.
- THE APPROVED PLAN, PERMIT AND INSPECTION RECORD MUST BE ON THE JOB SITE AT ALL TIMES.
- PLAN APPROVAL SHALL EXPIRE ONE YEAR FROM DATE OF APPROVAL UNLESS CONSTRUCTION HAS BEEN INITIATED. (CCMC 12.06.180F, 12.01.140D)
- ALL TREES, LANDSCAPE BOULDERS, AND PERMANENT AESTHETIC ENHANCEMENTS (INCLUDING BUT NOT LIMITED TO STEEL FIGURES, ORE CARTS, TIMBER, ETC.) ARE TO BE KEPT A MINIMUM OF 10' FROM THE FACE OF CURB AT ARROWHEAD, NORTHGATE, EAST COLLEGE, CARMINE, EMERSON GRADE, AND SEPARATIONS, AND 16' FROM THE FACE OF CURB AT THE COLLEGE PARKWAY, NORTH CARSON INTERCHANGE, AND HIGHWAY 50 INTERCHANGES (IN CLEAR ZONES). ROCK MULCH WITHIN THE CLEAR ZONE AREAS MUST BE NO MORE THAN 4' ABOVE THE TOP OF THE ADJACENT CURB (FOR ACTIVE CLEAR ZONE AREAS).
- EXISTING DRAINAGE DEVICES TO REMAIN SHALL BE PROTECTED IN PLACE. LOCATIONS SHOWN IN PLANS ARE BASED ON FIELD SKETCHES AND SHALL BE VERIFIED BY CONTRACTOR.
- FOR NEW ELECTRICAL SERVICES CONTRACTOR SHALL INSTALL THE CONDUIT AND CONCRETE PADS AND PEDESTALS. NVENERGY WILL PULL WIRES AND SET THE METER. THE CONTRACTOR IS RESPONSIBLE FOR GETTING ALL PERMITS, INCLUDING THE PERMIT FROM THE BUILDING INSPECTOR WHICH WILL BE ISSUED AS A NO COST PERMIT. THE CONTRACTOR IS ALSO RESPONSIBLE FOR CALLING IN ALL INSPECTIONS INCLUDING THOSE PERFORMED BY NV ENERGY AND THE BUILDING DEPARTMENT.
- CLEAR AND GRUB ALL EXISTING ORGANIC MATERIAL SCARIFY THE EXISTING SUBGRADE, AND INCORPORATE THE FIRST LIFT OF FILL INTO SUBSOILS WHEN PLACING FILL FOR BERMS. COMPACT FILL FOR BERMS TO LANDSCAPE DENSITY.
- BASE MAPPING FOR THE PROJECT MAY NOT SHOW ALL SIGNAGE AND UTILITIES. IF CONFLICTS ARE IDENTIFIED, REPORT TO CONSTRUCTION MANAGER.

CARSON CITY FREEWAY LANDSCAPING PROJECT

CARSON CITY, NEVADA
 PROJECT 3.0709

FEDERAL PROJECT NO. DE-395-2 (042) NDOT NO. 73462



VICINITY MAP

N.T.S.

SHEET INDEX

SP 100	SHEET INDEX LAYOUT
SP 101-106	NORTH CARSON STREET INTERCHANGE SITE PLAN
SP 201-203	ARROWHEAD DRIVE INTERCHANGE SITE PLAN
SP 301-302	NORTHGATE LANE GRADE SEPARATION SITE PLAN
SP 303	EMERSON DRIVE GRADE SEPARATION SITE PLAN
SP 401-403	EAST COLLEGE PARKWAY INTERCHANGE SITE PLAN
SP 501-502	CARMINE-NORTHRIDGE GRADE SEPARATION SITE PLAN
SP 601-602	HIGHWAY 50 (EAST) INTERCHANGE SITE PLAN

L 101-106	NORTH CARSON STREET INTERCHANGE
L 201-203	ARROWHEAD DRIVE INTERCHANGE
L 301-302	NORTHGATE LANE GRADE SEPARATION
L 303	EMERSON DRIVE GRADE SEPARATION
L 401-403	EAST COLLEGE PARKWAY INTERCHANGE
L 501-502	CARMINE-NORTHRIDGE GRADE SEPARATION
L 601-603	HIGHWAY 50 (EAST) INTERCHANGE

I 101-106	NORTH CARSON STREET INTERCHANGE
I 201-203	ARROWHEAD DRIVE INTERCHANGE
I 301-302	NORTHGATE LANE GRADE SEPARATION
I 303	EMERSON DRIVE GRADE SEPARATION
I 401-403	EAST COLLEGE PARKWAY INTERCHANGE
I 501-502	CARMINE-NORTHRIDGE GRADE SEPARATION
I 601-603	HIGHWAY 50 (EAST) INTERCHANGE

D 701	LANDSCAPE LEGEND
D 702	LANDSCAPE DETAILS
D 703	IRRIGATION LEGEND AND DETAILS
D 704	IRRIGATION DETAILS
D 705	RAINMASTER DETAILS

SD 800	NORTH CARSON STREET INTERCHANGE DETAILS
SD 801	ARROWHEAD DRIVE INTERCHANGE DETAILS
SD 802	NORTHGATE LANE/EMERSON DRIVE DETAILS
SD 803	NORTHGATE LANE/EMERSON DRIVE DETAILS
SD 804	NORTHGATE LANE/EMERSON DRIVE NORTH HILLSIDE DETAILS
SD 805	COLLEGE PARKWAY INTERCHANGE DETAILS
SD 806	CARMINE-NORTHRIDGE GRADE SEPARATION DETAILS
SD 807	HIGHWAY 50 (EAST) INTERCHANGE DETAILS
SD 808	HIGHWAY 50 (EAST) INTERCHANGE DETAILS
SD 809	TYPICAL PROJECT DETAILS

S 800	STRUCTURAL DETAILS
S 801	STRUCTURAL DETAILS
S 802	STRUCTURAL DETAILS

REVIEWED FOR CITY REQUIREMENTS:

	DATE
JEFF SHARP, P.E. - CITY ENGINEER	
	DATE
DEVELOPMENT ENGINEERING	
	DATE
KEN ARNOLD, - PUBLIC WORKS OPERATIONS MANAGER	



APPLICATION NO. XX-XXX
 NDOT APPLICATION NO. XXXXX

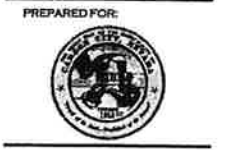
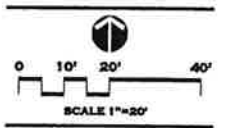
CONFORMED FOR CONSTRUCTION
 CARSON CITY FREEWAY LANDSCAPE, JUNE 30, 2011

ISSUE RECORD / REVISION:	
PURPOSE	DATE:
NO. SET	03/11/11

WINSTON ASSOCIATES
 4696 Broadway
 Boulder, CO 80304
 Tel: 303-440-9200
 Fax: 303-449-6911
 www.winstona.com

SANDRA WENDEL & ASSOCIATES
 1624 10th STREET, SUITE 3
 HENDER, NV 89423
 P: 775-782-0042 F: 775-782-0043
 sandra@swusa.com
 NV 8901 AND CA 92008

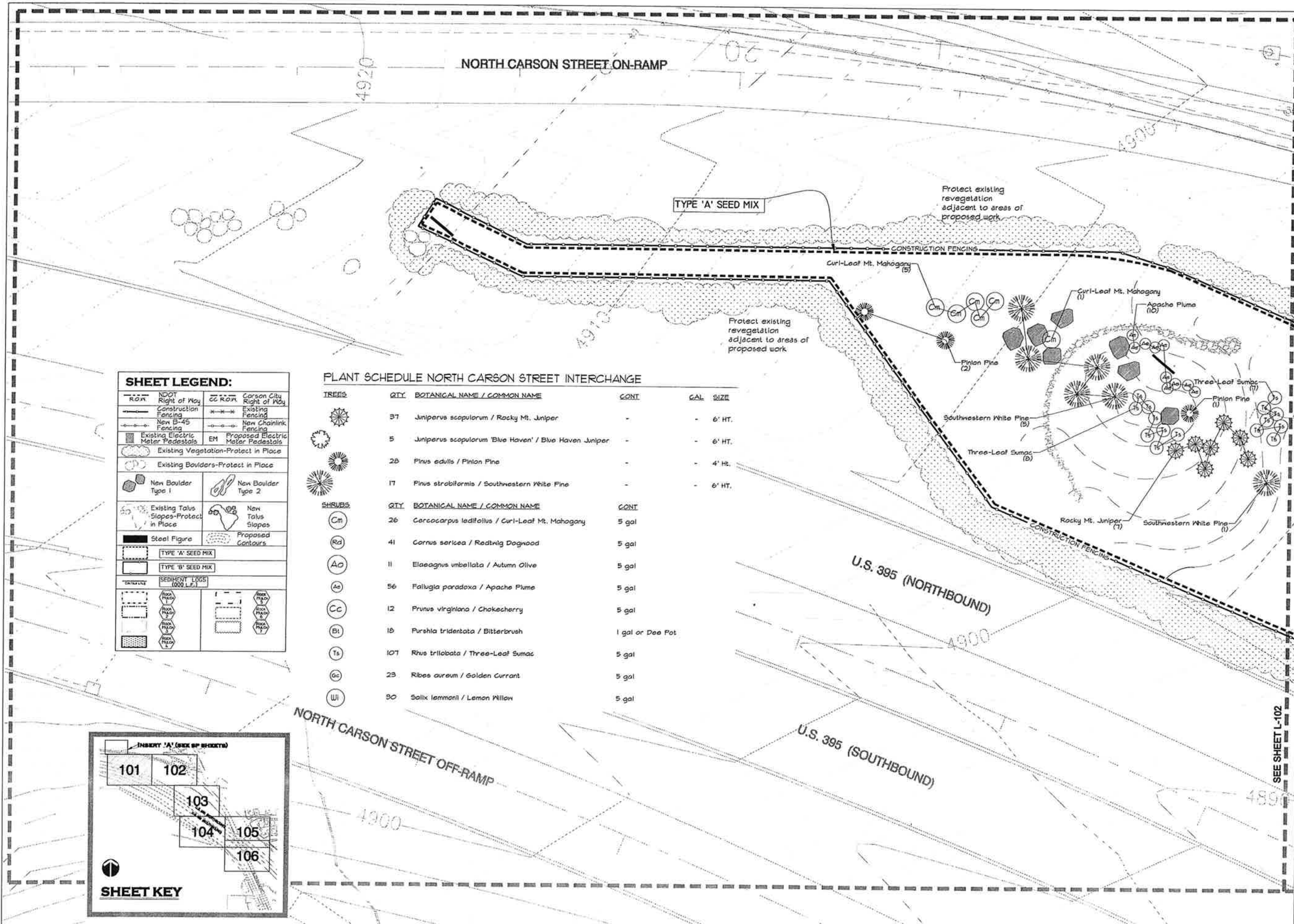
CARSON CITY FREEWAY LANDSCAPING PROJECT CARSON CITY, NEVADA



SHEET NAME:
NORTH CARSON STREET INTERCHANGE
 DATE: 03/11/11
 DRAWN BY: SW
 CHECKED BY: SW

SHEET NUMBER:
L-101

CONFORMED SET

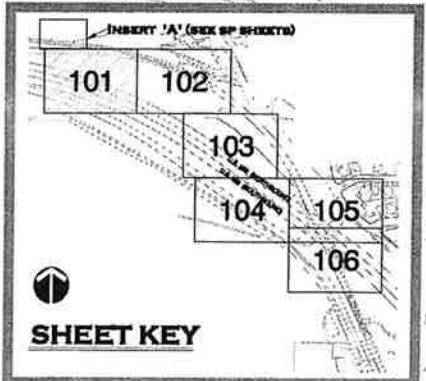


SHEET LEGEND:

— R.O.W.	NDOT Right of Way	CC R.O.W.	Carson City Right of Way
—	Construction Fencing	—	Existing Fencing
—	New E-45 Fencing	—	New Chainlink Fencing
—	Existing Electric Meter Pedestals	EM	Proposed Electric Meter Pedestals
—	Existing Vegetation-Protect in Place	—	
—	Existing Boulders-Protect in Place	—	
—	New Boulder Type 1	—	New Boulder Type 2
—	Existing Talus Slopes-Protect in Place	—	New Talus Slopes
—	Steel Figure	—	Proposed Contours
—	TYPE 'A' SEED MIX	—	
—	TYPE 'B' SEED MIX	—	
—	SEDIMENT LOGS (000 L.F.)	—	
—		—	
—		—	
—		—	

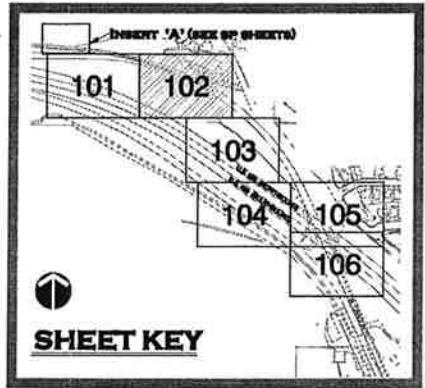
PLANT SCHEDULE NORTH CARSON STREET INTERCHANGE

TREES	QTY	BOTANICAL NAME / COMMON NAME	CONT	GAL. SIZE
	37	Juniperus scopulorum / Rocky Mt. Juniper	-	6' HT.
	5	Juniperus scopulorum 'Blue Haven' / Blue Haven Juniper	-	6' HT.
	28	Pinus edulis / Pinon Pine	-	4' HT.
	17	Pinus strobiformis / Southwestern White Pine	-	6' HT.
SHRUBS	QTY	BOTANICAL NAME / COMMON NAME	CONT	GAL. SIZE
	26	Cercocarpus ledifolius / Curl-Leaf Mt. Mahogany	5 gal	
	41	Cornus sericea / Redtwig Dogwood	5 gal	
	11	Elaeagnus umbellata / Autumn Olive	5 gal	
	56	Faulugia paradoxa / Apache Plume	5 gal	
	12	Prunus virginiana / Chokecherry	5 gal	
	18	Purshia tridentata / Bitterbrush	1 gal or Dee Pot	
	107	Rhus trilobata / Three-Leaf Sumac	5 gal	
	23	Ribes aureum / Golden Currant	5 gal	
	30	Salix lemmonii / Lemon Willow	5 gal	



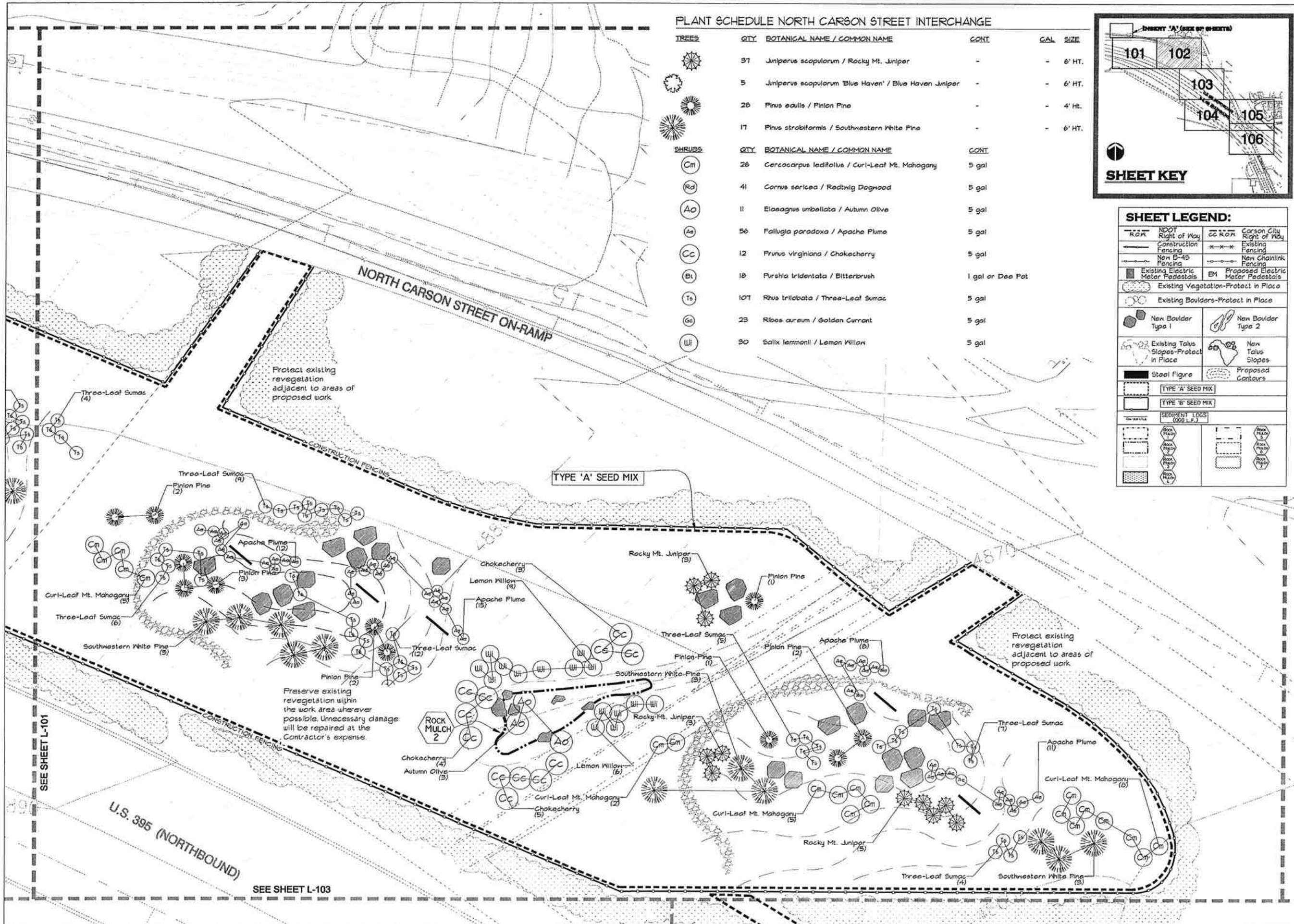
PLANT SCHEDULE NORTH CARSON STREET INTERCHANGE

TREES	QTY	BOTANICAL NAME / COMMON NAME	CONT	GAL	SIZE
	37	Juniperus scopulorum / Rocky Mt. Juniper	-	-	6' HT.
	5	Juniperus scopulorum 'Blue Haven' / Blue Haven Juniper	-	-	6' HT.
	28	Pinus edulis / Pinon Pine	-	-	4' HT.
	17	Pinus strobiformis / Southwestern White Pine	-	-	6' HT.
SHRUBS	QTY	BOTANICAL NAME / COMMON NAME	CONT	GAL	SIZE
	26	Cercocarpus ledifolius / Curl-Leaf Mt. Mahogany	5 gal		
	41	Cornus sericea / Redwing Dogwood	5 gal		
	11	Elaeagnus umbellata / Autumn Olive	5 gal		
	56	Fallugia paradoxa / Apache Plume	5 gal		
	12	Prunus virginiana / Chokecherry	5 gal		
	18	Purshia tridentata / Bitterbrush	1 gal or Dee Pot		
	107	Rhus trilobata / Three-Leaf Sumac	5 gal		
	23	Ribes aureum / Golden Currant	5 gal		
	30	Salix lemmonii / Lemon Willow	5 gal		



SHEET LEGEND:

	ROW Right of Way		CC ROW Right of Way
	Construction Fencing		Existing Fencing
	New D-45 Fencing		New Chainlink Fencing
	Existing Electric Meter Pedestals		Proposed Electric Meter Pedestals
	Existing Vegetation-Protect in Place		
	Existing Boulders-Protect in Place		
	New Boulder Type 1		New Boulder Type 2
	Existing Talus Slopes-Protect in Place		New Talus Slopes
	Steel Figure		Proposed Contours
	TYPE 'A' SEED MIX		
	TYPE 'B' SEED MIX		
	SEDIMENT LOOPS (5000 L.F.)		
	ROCK MULCH 2		



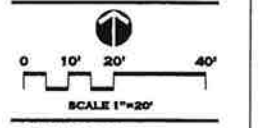
ISSUE RECORD / REVISION:

PURPOSE	DATE
NO SET	03/11/11

WINSTON W ASSOCIATES 4696 Broadway Boulder, CO 80304 Tel: 303-440-9200 Fax: 303-449-6911

SANDRA WENDEL & ASSOCIATES 1624 10th STREET, SUITE 3 MINDEN, NY 09423 PH: 775-782-8942 FX: 775-782-8943

**CARSON CITY FREEWAY
LANDSCAPING PROJECT
CARSON CITY, NEVADA**



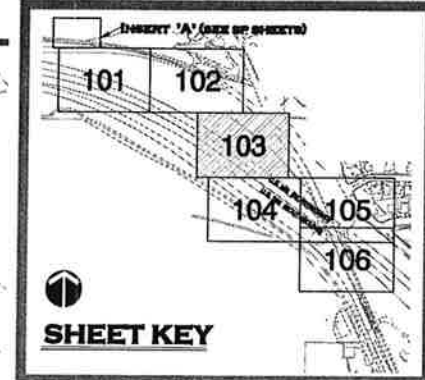
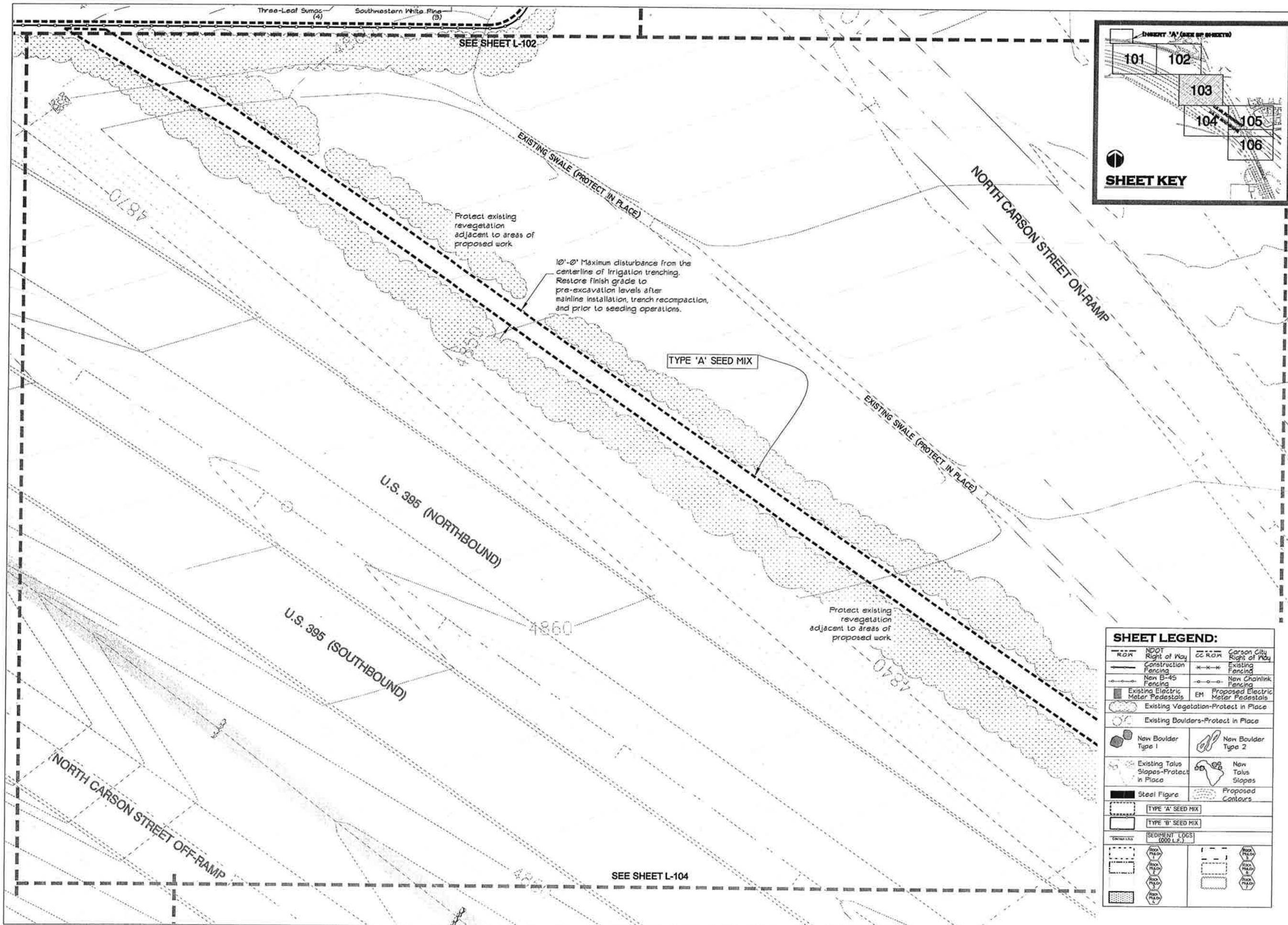
PREPARED FOR:

**SHEET NAME:
NORTH CARSON STREET INTERCHANGE**

DATE: 03/11/11
DRAWN BY: SW
CHECKED BY: SW

SHEET NUMBER:
L-102

CONFORMED SET



ISSUE RECORD / REVISION:

PURPOSE	DATE
NO. REV	03/11/11

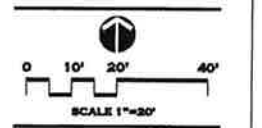
WINSTON ASSOCIATES
 4696 Broadway
 Boulder, CO 80304
 Tel: 303-440-9200
 Fax: 303-440-0911
 winstonassociates.com

SANDRA WENDEL & ASSOCIATES
 1624 10th STREET, SUITE 3
 MINDELA, NV 89423
 FAX: 775-782-0042 FAX: 775-782-0043
 SANDRA@SWAUSA.COM
 NV 8001 AND CA 82506

CARSON CITY FREEWAY LANDSCAPING PROJECT CARSON CITY, NEVADA

SHEET LEGEND:

ROW	NDOT Right of Way	CC ROW	Carson City Right of Way
Construction Fencing	Existing Fencing	Existing Fencing	Existing Fencing
New B-45 Fencing	New Chainlink Fencing	New Chainlink Fencing	New Chainlink Fencing
Existing Electric Meter Pedestals	EM	Proposed Electric Meter Pedestals	EM
Existing Vegetation-Protect in Place		Existing Vegetation-Protect in Place	
Existing Boulders-Protect in Place		Existing Boulders-Protect in Place	
New Boulder Type 1	New Boulder Type 2	New Boulder Type 1	New Boulder Type 2
Existing Talus Slopes-Protect in Place	New Talus Slopes	Existing Talus Slopes-Protect in Place	New Talus Slopes
Steel Figure	Proposed Contours	Steel Figure	Proposed Contours
TYPE 'A' SEED MIX		TYPE 'A' SEED MIX	
TYPE 'B' SEED MIX		TYPE 'B' SEED MIX	
SEDIMENT LOGS (000 L.F.)		SEDIMENT LOGS (000 L.F.)	
Rock Type 1	Rock Type 2	Rock Type 1	Rock Type 2
Rock Type 3	Rock Type 4	Rock Type 3	Rock Type 4
Rock Type 5	Rock Type 6	Rock Type 5	Rock Type 6
Rock Type 7	Rock Type 8	Rock Type 7	Rock Type 8



SHEET NAME:
NORTH CARSON STREET INTERCHANGE
 DATE: 03/11/11
 DRAWN BY: SW
 CHECKED BY: SW

SHEET NUMBER:
L-103

CONFORMED SET