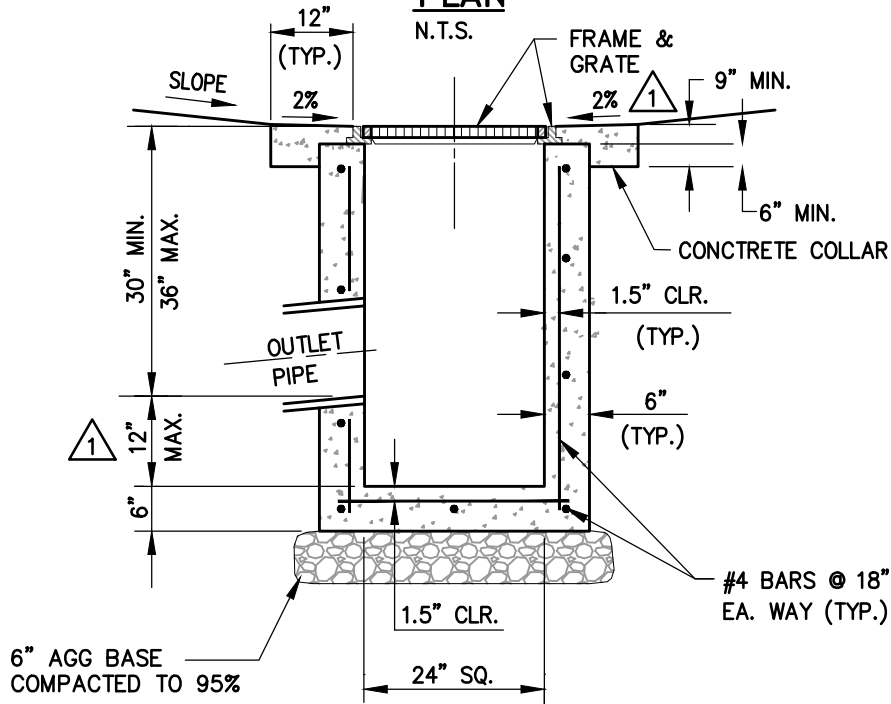


PLAN

N.T.S.



SECTION A-A

N.T.S.

NOTES:

1. PORTLAND CEMENT CONCRETE (P.C.C.) SHALL HAVE THE FOLLOWING CHARACTERISTICS: 4000 PSI MIN. COMPRESSIVE STRENGTH @ 28 DAYS, (FOR COLLAR ONLY, ALL UNEXPOSED CONCRETE MAY BE 3000 PSI) MIN. 6 SACKS OF CEMENT PER CUBIC YARD WITH A MAX. WATER/CEMENT RATIO OF 0.45, AIR ENTRAINMENT 6% ±1.5%, SLUMP AT 1 TO 4 INCHES. ALL MATERIALS SHALL CONFORM TO SSPWC SECTION 202.
1. REINFORCING STEEL SHALL BE GRADE 40 AND HAVE A MINIMUM OF 1.5 INCHES CLEAR COVER.
3. CONCRETE STRUCTURE MAY BE A PRE-CAST CONCRETE UNIT. BASE OF PRE-CAST CONCRETE UNIT SHALL BE PLACED ON 6 INCHES OF COMPACTED DRAIN ROCK.
4. FRAME & GRATE SHALL BE JENSEN ADA COMPLIANT FG2424H (SIZE VARIES) OR APPROVED EQUAL.
5. CATCH BASIN SHALL BE H20 TRAFFIC-RATED AND USED ONLY AT LOW POINTS IN ALLEYS OR PARKING AREAS.

NO.	REVISION	DATE	STANDARD DETAIL FOR PUBLIC WORKS CONSTRUCTION	SECTION
1	OUTLET HEIGHT		CATCH BASIN TYPE 3-R	CARSON CITY
	NOTE 2	9/17		DRAWING NO. C-4.1.4
				DATE
				SEP 2017
APPROVED BY:		9/17		