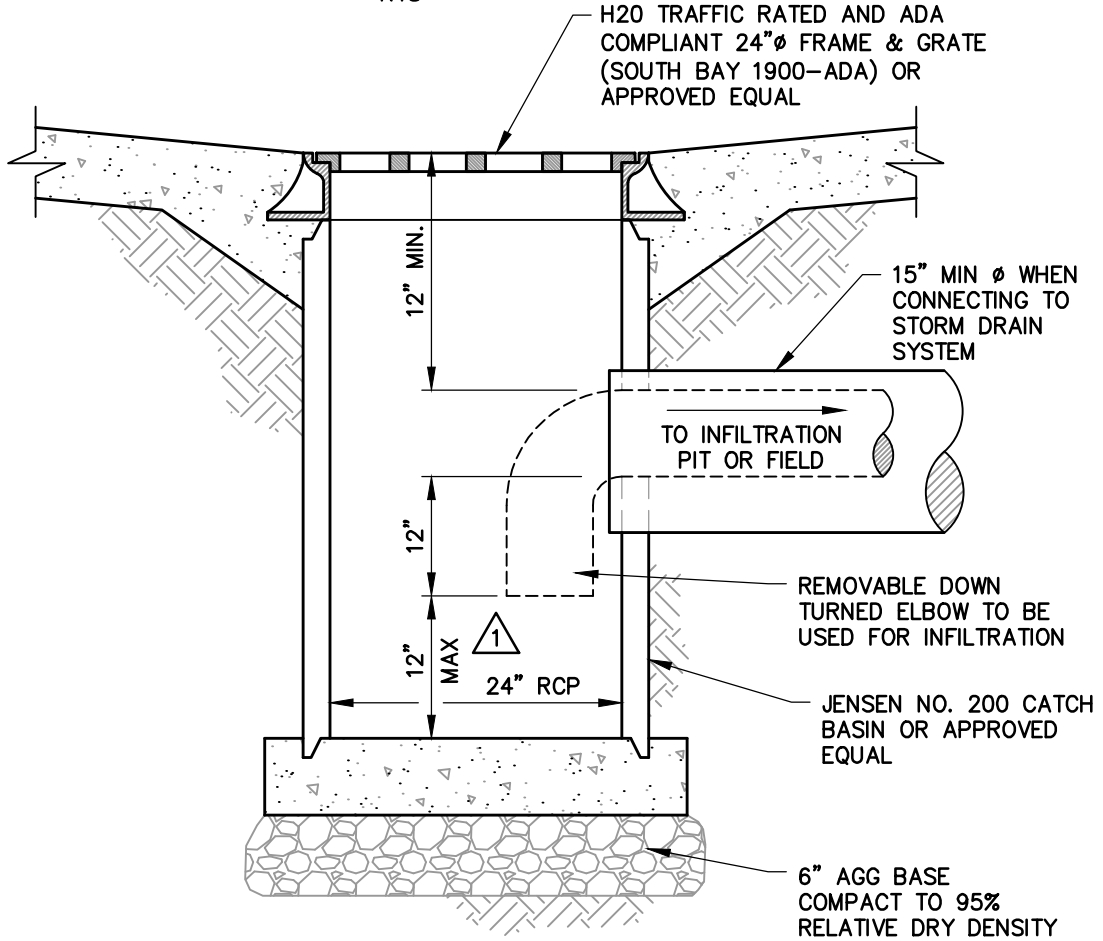


**PLAN VIEW**  
NTS



**SECTION A-A**  
NTS

NO.	REVISION	DATE	STANDARD DETAIL FOR PUBLIC WORKS CONSTRUCTION	SECTION
1	SUMP DEPTH	9/17	<b>CATCH BASIN TYPE 3</b>	CARSON CITY
				DRAWING NO. C-4.1.2
				DATE SEP 2017
APPROVED BY:		9/17		