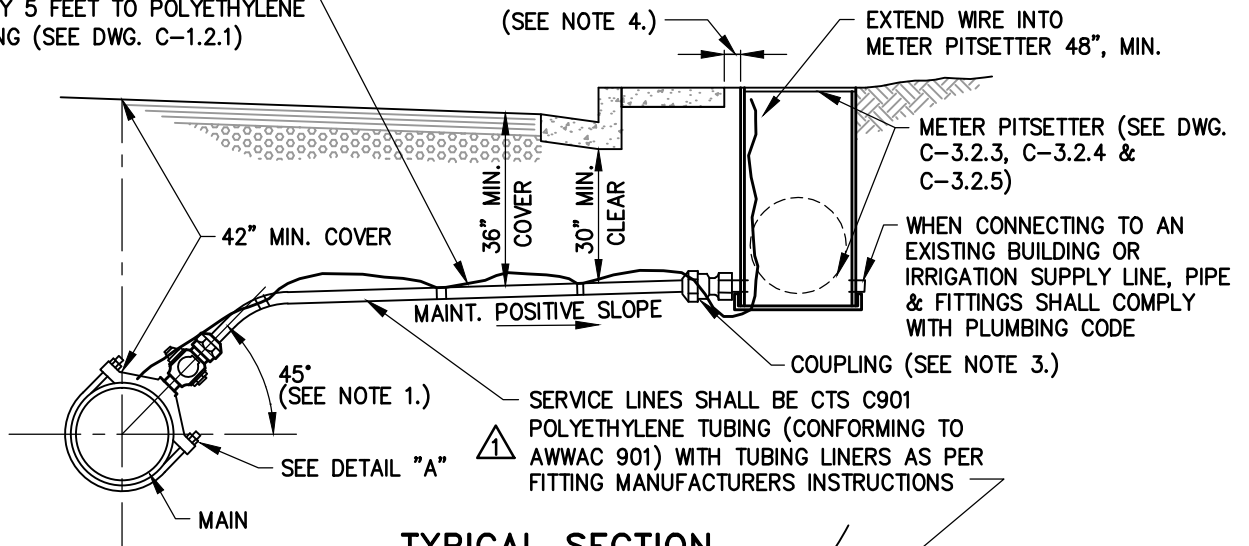
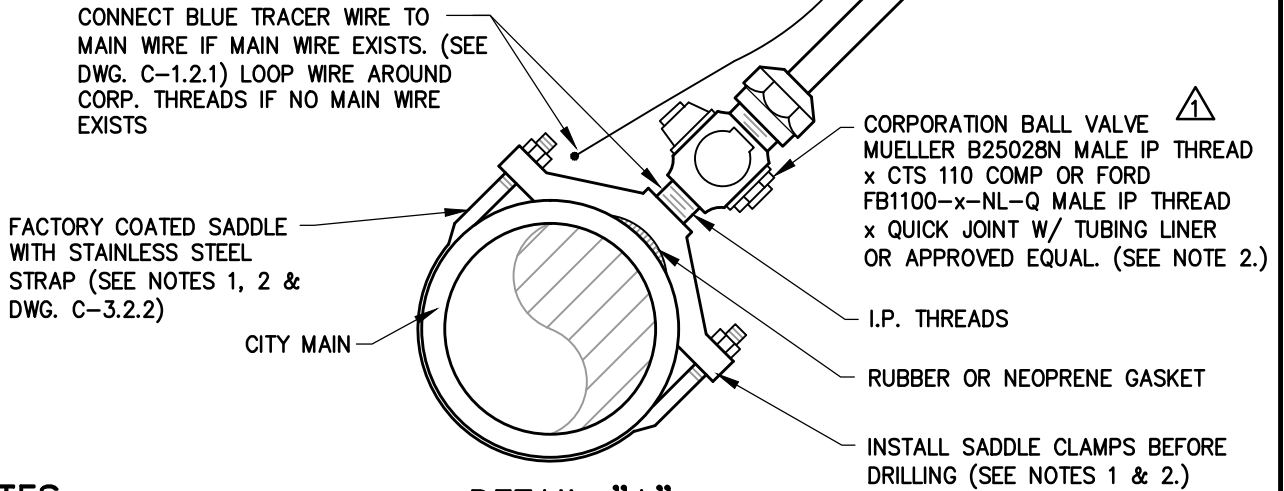


TRACER WIRE (BLUE) TAPED EVERY 5 FEET TO POLYETHYLENE TUBING (SEE DWG. C-1.2.1)



**TYPICAL SECTION**  
NTS



**DETAIL "A"**  
NTS

**NOTES:**

1. MINIMUM DISTANCE BETWEEN TAPS AND MAINLINE FITTINGS, INCLUDING BELLS SHALL BE 18 INCHES. TAPPING SADDLE MUST BE AT 45 DEGREE ANGLE, EXCEPTIONS MUST BE APPROVED BY CARSON CITY WATER UTILITY.
2. CORPORATION VALVES AND SERVICE SADDLES SHALL CONFORM TO AWWA C800, NSF61, NSF 372 AND BE NO LESS THAN THE SERVICE LINE SIZE. WHEN REPLACING AN EXISTING SERVICE LINE AND A SIZE LARGER THAN SHOWN IS ENCOUNTERED, THE LARGER SIZE LINE, FITTINGS AND SADDLE SHALL BE INSTALLED UNLESS APPROVED BY CARSON CITY WATER UTILITY.
3. COUPLING FITTING SHALL CONFORM TO AWWA C800 AND BE A MUELLER H-15451 CTS 110 COMP OR FORD C14-xx-NL-Q QUICK JOINT W/ TUBING LINER x FEMALE IP THREAD OR APPROVED EQUAL.
4. METER PITSETTERS TO BE PLACED 4 INCHES FROM BACK OF SIDEWALK IN AREAS WHERE SIDEWALK IS ADJACENT TO CURB, OR 6 INCHES FROM BACK OF CURB IN AREAS WHERE SIDEWALK IS OFFSET FROM CURB, OR AS DIRECTED BY CARSON CITY WATER UTILITY. IN AREAS WHERE NO CURB OR SIDEWALK IS PRESENT, METER PITSETTERS SHALL BE PLACED WITHIN THE RIGHT-OF-WAY AS SHOWN ON THE APPROVED PLANS.
5. DISCONTINUANCE OF USE OF A SERVICE REQUIRES ABANDONMENT OF THE SERVICE. NOTIFY CARSON CITY PUBLIC WORKS FOR METER REMOVAL PRIOR TO PROCEEDING WITH ABANDONMENT. REMOVE EXISTING METER BOX AND EXPOSE CORP STOP AT MAIN FOR SHUT-OFF. ALL PIPING OR TUBING SHALL BE DISCONNECTED FROM CORP STOP AND PLUGGED AT BOTH ENDS. CARSON CITY PUBLIC WORKS SHALL BE NOTIFIED FOR INSPECTION OF CORP STOP ASSEMBLY PRIOR TO BACKFILLING.

NO.	REVISION	DATE	STANDARD DETAIL FOR PUBLIC WORKS CONSTRUCTION	SECTION
1	MISC	9/17	<b>1" TO 2" WATER SERVICE</b>	CARSON CITY
				DRAWING NO. C-3.2.1 (203,307)
				DATE SEP 2017
APPROVED BY: 				