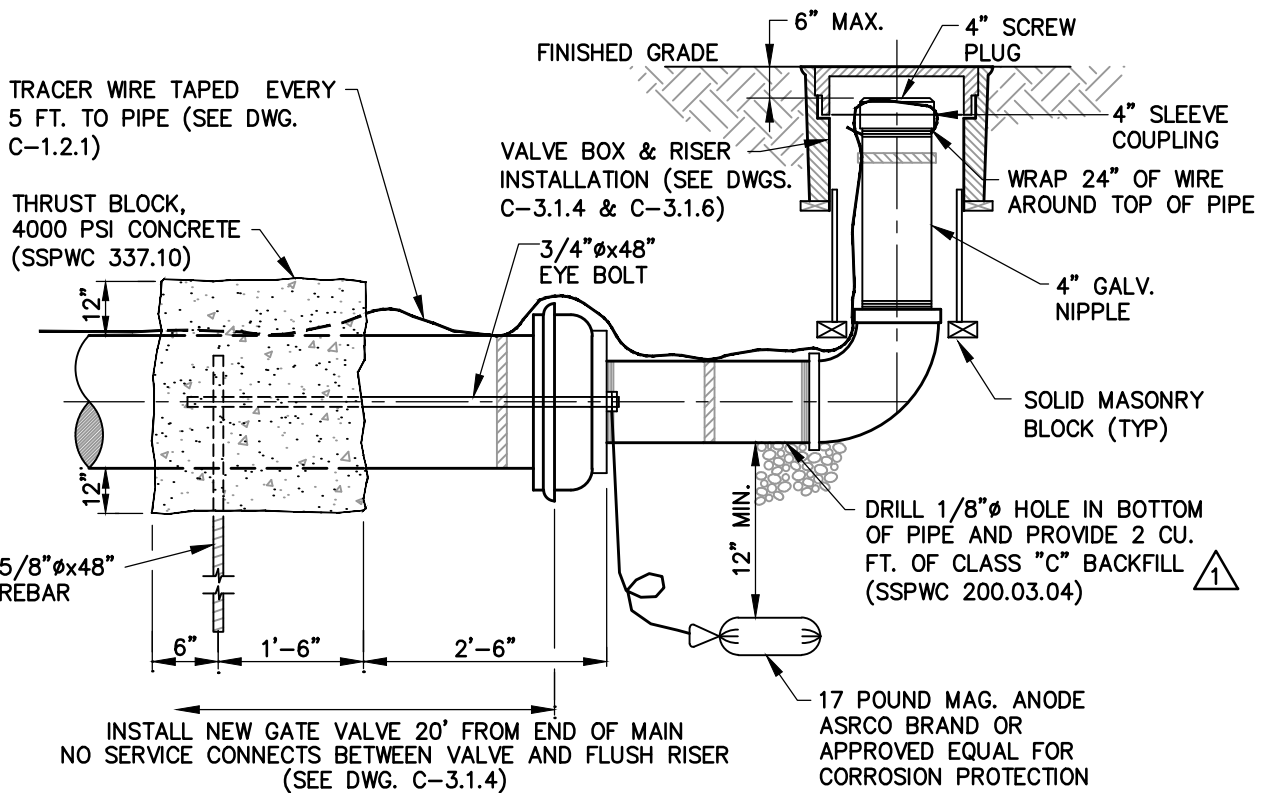


PLAN VIEW
NTS



SECTION A-A
NTS

NO.	REVISION	DATE	STANDARD DETAIL FOR PUBLIC WORKS CONSTRUCTION	SECTION
1	BACKFILL	9/17	FLUSH ASSEMBLY TEMPORARY	CARSON CITY
				DRAWING NO. C-3.1.13
				DATE SEP 2017
APPROVED BY:		9/17		