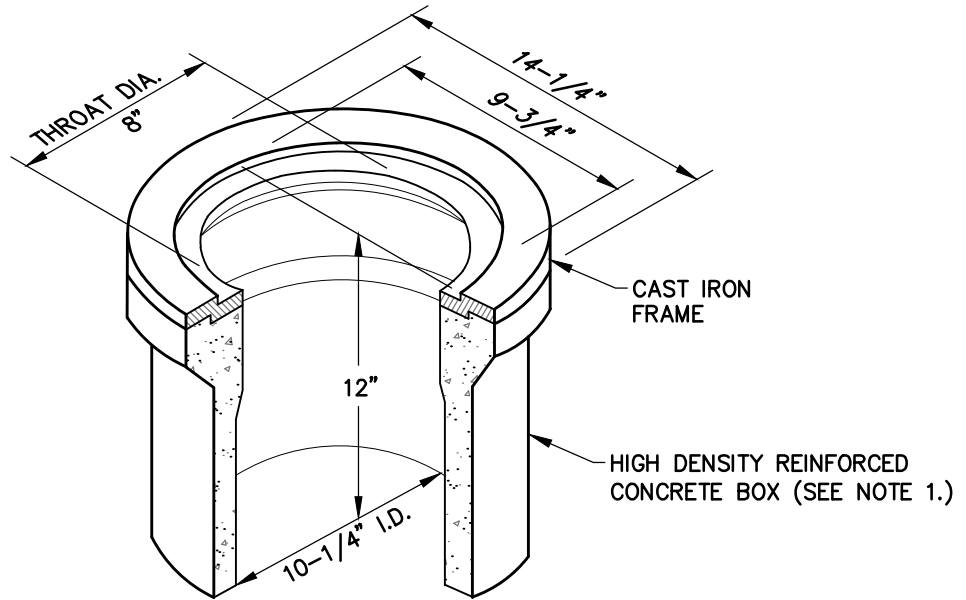


WELDED ON LETTERING  
1" MIN HIGH (TYP)  
(SEE NOTE 2.)



**ISOMETRIC VIEW**  
N.T.S.

**NOTES:**

1. BOX AND LID SHALL BE TRAFFIC RATED WITH A MINIMUM INSIDE DIAMETER OF 10 INCHES (CHRISTY G3 TRAFFIC VALVE BOX & LID OR APPROVED EQUAL)
2. CAST IRON LID SHALL BE MARKED AT THE FACTORY "LOCATE WIRE", AND "WATER" FOR WATER APPLICATIONS, "RCW" FOR RECLAIMED WATER APPLICATIONS, "SSFm" FOR SANITARY SEWER FORCE MAIN APPLICATIONS, AND "SSCO" FOR SANITARY SEWER CLEANOUT APPLICATIONS.
3. CAST IRON LID SHALL BE EPOXY COATED AT THE FACTORY, OR POWDER COATED, COLOR SHALL BE BLUE FOR WATER APPLICATIONS, PURPLE FOR RECLAIMED WATER APPLICATIONS AND GREEN FOR SANITARY SEWER APPLICATIONS.
4. BOX SHALL BE SET OR ADJUSTED TO GRADE PER DRAWING NO. C-3.1.4, RISER FOR ADJUSTED BOX SHALL BE PER DRAWING NO. C-3.1.4. FOR OVERLAY ADJUSTMENTS, RISER WILL NOT REQUIRE REPLACEMENT OR EXTENSION IF IT EXTENDS A MINIMUM OF 2 INCHES INTO ADJUSTED BOX.

NO.	REVISION	DATE	STANDARD DETAIL FOR PUBLIC WORKS CONSTRUCTION	SECTION
	NOTE 1	9/17	<b>LINE LOCATION BOX &amp; LID</b>	CARSON CITY
				DRAWING NO.
				C-1.2.2 (306,307)
				DATE
APPROVED BY:		9/17		SEP 2017