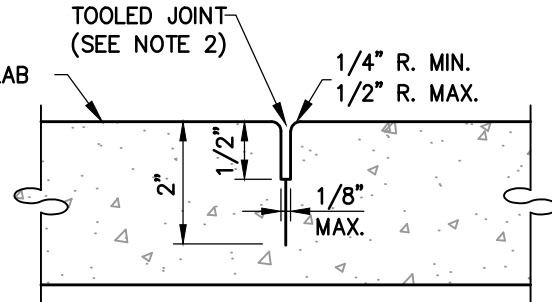


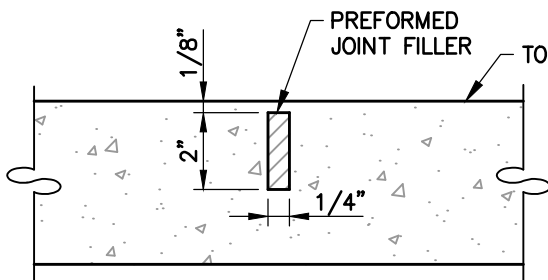
EXPANSION/ISOLATION JOINT

NTS



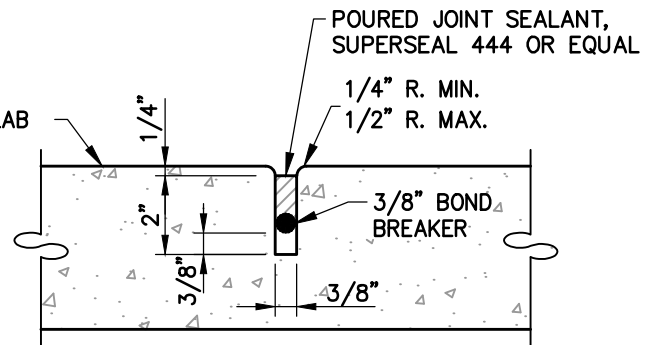
**WEAKENED PLANE JOINT
SIDEWALK, CURB & GUTTER**

NTS



**WEAKENED PLANE JOINT
P.C.C. PAVEMENT**

NTS



**SAWED OR PREFORMED
STRIP JOINT**

NTS

NOTES:

1. ALL CONCRETE EDGING AND JOINTING SHALL CONFORM TO SECTION 312 OF THE STANDARD SPECIFICATIONS FOR PUBLIC WORKS CONSTRUCTION (SSPWC).
2. AFTER PRELIMINARY TROWELING, THE CONCRETE SHALL BE PARTED TO A DEPTH OF 2 INCHES WITH A STRAIGHTEDGE ON THE FRONT TOP AND BACK. THE CONCRETE SHALL THEN BE REFLOATED TO FILL THE PARTED JOINT WITH MORTAR. FINAL JOINT FINISHING SHALL BE ACCOMPLISHED WITH A JOINTER TOOL AS SHOWN.

NO.	REVISION	DATE	STANDARD DETAIL FOR PUBLIC WORKS CONSTRUCTION	SECTION
1	REMOVE KEYED JOINT, NOTE 1&2	9/17	P.C.C. JOINTING DETAILS	CARSON CITY
				DRAWING NO. C-5.1.1 (312)
				DATE SEP 2017
APPROVED BY:		9/17		