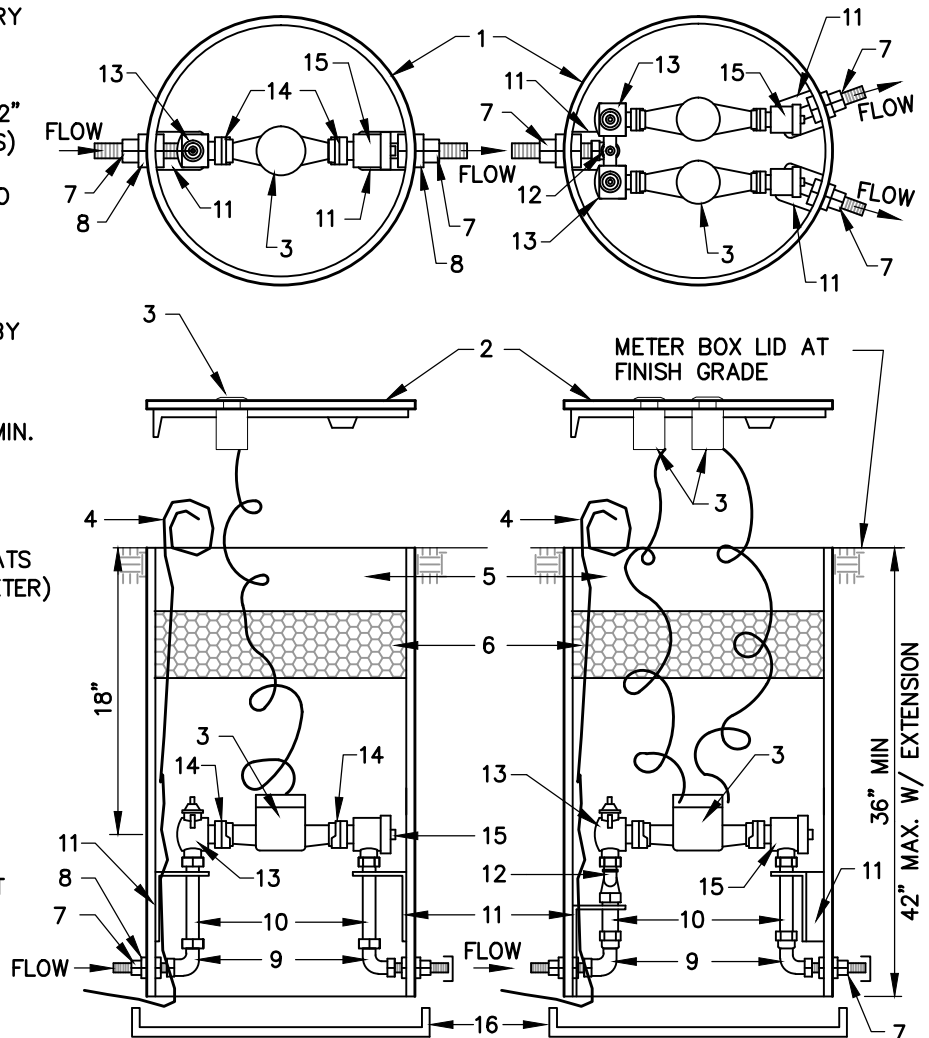




MATERIALS LIST:

1. PVC BOX MIN. WALL THICKNESS 0.300", MUELLER 18" DIAMETER RIGID METER PIT BOX FACTORY EQUIPPED AS LISTED, CONFORMING TO AWWA C800
2. CAST IRON LOCKING LID W/ 2" DIA TRANSPONDER OPENING(S) MUELLER METER BOX SETTER LIDS (1" SINGLE: MUELLER NO 780113) (3/4" DOUBLE: MUELLER NO 780111,)
3. WATER METER(S) & TRANSPONDER(S) SUPPLIED BY CARSON CITY WATER UTILITY
4. BLUE TRACER WIRE EXTEND INTO METER PITSETTER 48" MIN.
5. AIR SPACE
6. INSULATION PAD (4" THICK)
7. BRASS NIPPLE WITH HEX-FLATS (1" I.P. MINIMUM INLET DIAMETER)
8. BRASS HEX NUT
9. BRASS THREADED ELBOW
10. BRASS PIPE RISER
11. METAL SUPPORT BRACKET
12. BRASS 1" INLET X 3/4" OUTLET U-BRANCH
13. BRASS LOCKABLE FULL-PORT BALL VALVE MUELLER PART NO. 215B24265N
14. BRASS METER ADAPTOR TO SET 5/8" X 3/4" METER. FORD PART NO. A24-NL
15. BRASS DUAL CHECK VALVE CONFORMING TO ASSE
16. ALUMINUM BOTTOM



NOTES:

1. ALL BRANDS AND PART NUMBERS ARE FOR REFERENCE ONLY AND MAY BE SUBSTITUTED WITH A CARSON CITY APPROVED EQUAL.
2. A SINGLE PIT SETTER EXTENSION (6" TOTAL MAX.) MAY BE USED UPON APPROVAL BY CARSON CITY WATER UTILITY.
2. SINGLE 5/8" X 3/4" METERS SHALL BE SET IN SINGLE 1" METER PITS WITH AN ADAPTOR (FORD PART NO. A24-NL).

NO.	REVISION	DATE	STANDARD DETAIL FOR PUBLIC WORKS CONSTRUCTION	SECTION
	RIGID SET	7/19	1" SINGLE AND 3/4" DOUBLE PIT SETTER 	CARSON CITY
				DRAWING NO. C-3.2.3 (203, 307)
APPROVED BY: 		7/19		DATE JUL 2019